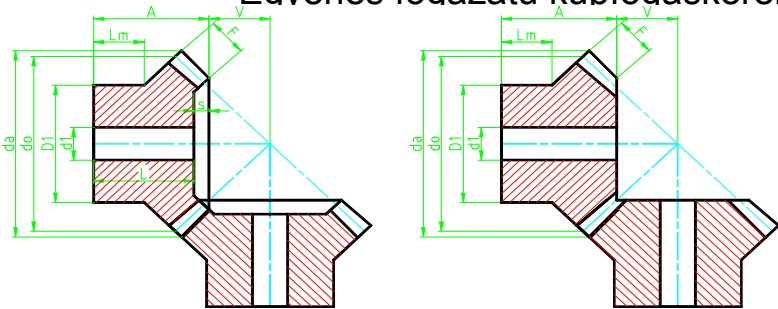


Egvenes fogazatú kúpfoqaskerek

Áttétel 1:1

Anyagminőség: C43



A Típus

B Típus

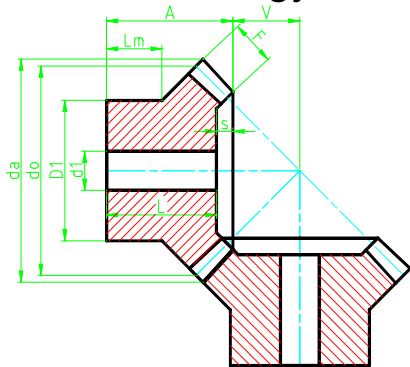
A fogaskereket párban szállítjuk.

Méreték mm-ben

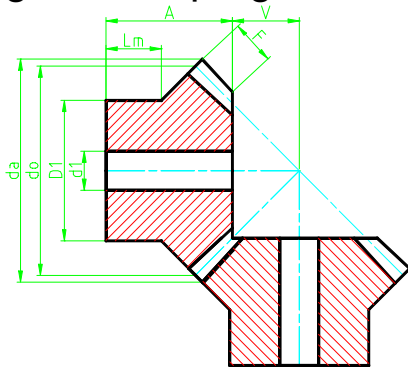
| Modul | Fog-szám | do | Rendelési szám | da | d1 | D1 | A | L | Lm | F | V | s | Típus |
|-------|----------|------|----------------|------|----|------|------|------|------|------|------|-----|-------|
| 1 | 16 | 16 | K 1 16B | 17,4 | 4 | 13,3 | 11,2 | - | 6,7 | 4,0 | 4,8 | - | B |
| 1 | 19 | 19 | K 1 19B | 20,4 | 4 | 15,3 | 11,8 | - | 6,6 | 4,0 | 6,2 | - | B |
| 1 | 22 | 22 | K 1 22B | 23,4 | 5 | 16,3 | 12,8 | - | 6,1 | 4,7 | 7,2 | - | B |
| 1 | 26 | 26 | K 1 26B | 27,4 | 5 | 20,3 | 13,3 | - | 7,0 | 5,5 | 8,7 | - | B |
| 1 | 30 | 30 | K 1 30B | 31,4 | 5 | 20,3 | 16,0 | - | 8,0 | 6,4 | 10,0 | - | B |
| 1,5 | 16 | 24,0 | K 1,5 16A | 26,1 | 8 | 18,0 | 18,0 | 17,0 | 8,9 | 8,0 | 5,8 | 1,0 | A |
| 1,5 | 16 | 24,0 | K 1,5 16B | 26,1 | 8 | 20,3 | 18,9 | - | 12,2 | 6,0 | 7,1 | - | B |
| 1,5 | 19 | 28,5 | K 1,5 19B | 30,6 | 8 | 20,3 | 21,3 | - | 11,6 | 7,0 | 8,7 | - | B |
| 1,5 | 20 | 30,0 | K 1,5 20A | 32,1 | 10 | 22,0 | 20,0 | 18,0 | 9,8 | 8,0 | 8,7 | 2,0 | A |
| 1,5 | 22 | 33,0 | K 1,5 22A | 35,1 | 10 | 25,0 | 20,0 | 18,0 | 9,7 | 8,0 | 10,2 | 2,0 | A |
| 1,5 | 22 | 33,0 | K 1,5 22B | 35,1 | 8 | 25,3 | 22,5 | - | 12,7 | 7,5 | 10,5 | - | B |
| 1,5 | 25 | 37,5 | K 1,5 25A | 39,6 | 10 | 28,0 | 23,0 | 21,0 | 12,0 | 8,0 | 12,4 | 2,0 | A |
| 1,5 | 26 | 39,0 | K 1,5 26B | 41,1 | 8 | 28,3 | 23,2 | - | 12,0 | 8,5 | 12,8 | - | B |
| 1,5 | 30 | 45,0 | K 1,5 30A | 47,1 | 12 | 30,0 | 25,0 | 22,5 | 12,0 | 10,0 | 14,7 | 2,5 | A |
| 1,5 | 30 | 45,0 | K 1,5 30B | 47,1 | 12 | 30,0 | 27,2 | - | 12,1 | 10,0 | 14,8 | - | B |
| 2 | 16 | 32,0 | K 2 16A | 34,8 | 10 | 25,0 | 20,0 | 17,0 | 9,3 | 9,0 | 8,8 | 3,0 | A |
| 2 | 16 | 32,0 | K 2 16B | 34,8 | 8 | 25,3 | 23,5 | - | 13,6 | 8,0 | 9,5 | - | B |
| 2 | 19 | 38,0 | K 2 19B | 40,8 | 8 | 25,3 | 24,2 | - | 12,0 | 9,0 | 11,8 | - | B |
| 2 | 20 | 40,0 | K 2 20A | 42,8 | 10 | 32,0 | 25,0 | 22,0 | 12,0 | 12,0 | 10,7 | 3,0 | A |
| 2 | 22 | 44,0 | K 2 22A | 46,8 | 10 | 36,0 | 25,0 | 22,0 | 17,7 | 12,0 | 12,7 | 3,0 | A |
| 2 | 22 | 44,0 | K 2 22B | 46,8 | 10 | 30,3 | 27,9 | - | 14,0 | 10,0 | 14,1 | - | B |
| 2 | 25 | 50,0 | K 2 25A | 52,8 | 12 | 40,0 | 28,0 | 25,0 | 12,3 | 14,0 | 14,3 | 3,0 | A |
| 2 | 26 | 52,0 | K 2 26B | 54,8 | 12 | 35,3 | 31,4 | - | 13,7 | 12,0 | 16,6 | - | B |
| 2 | 30 | 60,0 | K 2 30A | 62,8 | 12 | 50,0 | 30,0 | 27,0 | 12,8 | 16,0 | 17,8 | 3,0 | A |
| 2 | 30 | 60,0 | K 2 30B | 62,8 | 12 | 40,3 | 34,1 | - | 17,0 | 13,0 | 19,9 | - | B |
| 2,5 | 16 | 40,0 | K 2,5 16A | 43,5 | 12 | 32,0 | 25,5 | 22,0 | 13,3 | 10,0 | 11,8 | 3,5 | A |
| 2,5 | 16 | 40,0 | K 2,5 16B | 43,5 | 12 | 30,3 | 28,1 | - | 15,2 | 10,0 | 11,9 | - | B |
| 2,5 | 19 | 47,5 | K 2,5 19B | 51,0 | 12 | 35,3 | 27,1 | - | 13,0 | 11,0 | 14,9 | - | B |
| 2,5 | 20 | 50,0 | K 2,5 20A | 53,5 | 12 | 40,0 | 30,5 | 27,0 | 16,0 | 12,0 | 15,4 | 3,5 | A |
| 2,5 | 22 | 55,0 | K 2,5 22A | 58,5 | 12 | 45,0 | 30,5 | 27,0 | 15,9 | 12,0 | 17,8 | 3,5 | A |
| 2,5 | 22 | 55,0 | K 2,5 22B | 58,5 | 12 | 45,3 | 30,1 | - | 15,7 | 12,0 | 17,9 | - | B |
| 2,5 | 25 | 62,5 | K 2,5 25A | 66,0 | 15 | 50,0 | 33,5 | 30,0 | 16,0 | 15,0 | 19,5 | 3,5 | A |
| 2,5 | 26 | 65,0 | K 2,5 26B | 68,5 | 15 | 45,3 | 33,2 | - | 16,0 | 15,0 | 20,8 | - | B |
| 2,5 | 30 | 75,0 | K 2,5 30A | 78,5 | 15 | 55,0 | 35,5 | 32,0 | 16,0 | 18,0 | 23,6 | 3,5 | A |
| 2,5 | 30 | 75,0 | K 2,5 30B | 78,5 | 15 | 50,3 | 39,0 | - | 20,0 | 16,0 | 25,0 | - | B |
| 3 | 16 | 48,0 | K 3 16A | 52,2 | 15 | 40,0 | 30,0 | 26,0 | 16,2 | 12,0 | 14,2 | 4,0 | A |
| 3 | 16 | 48,0 | K 3 16B | 52,2 | 12 | 40,3 | 31,7 | - | 18,1 | 12,0 | 14,3 | - | B |
| 3 | 19 | 57,0 | K 3 19B | 61,2 | 14 | 40,3 | 36,0 | - | 17,1 | 13,0 | 18,0 | - | B |
| 3 | 20 | 60,0 | K 3 20A | 64,2 | 15 | 45,0 | 35,0 | 31,0 | 13,6 | 18,0 | 16,1 | 4,0 | A |
| 3 | 22 | 66,0 | K 3 22A | 70,2 | 15 | 50,0 | 35,0 | 31,0 | 13,0 | 18,0 | 19,0 | 4,0 | A |
| 3 | 22 | 66,0 | K 3 22B | 70,2 | 15 | 50,3 | 36,9 | - | 17,1 | 15,0 | 21,1 | - | B |
| 3 | 25 | 75,0 | K 3 25A | 79,2 | 15 | 55,0 | 38,0 | 34,0 | 16,0 | 20,0 | 22,1 | 4,0 | A |
| 3 | 26 | 78,0 | K 3 26B | 82,2 | 15 | 50,3 | 38,4 | - | 18,0 | 17,0 | 25,6 | - | B |
| 3 | 30 | 90,0 | K 3 30A | 94,2 | 20 | 60,0 | 40,0 | 36,0 | 19,0 | 22,0 | 28,1 | 4,0 | A |
| 3 | 30 | 90,0 | K 3 30B | 94,2 | 20 | 60,3 | 43,8 | - | 22,0 | 19,0 | 30,2 | - | B |

Egyenes fogazatú kúpfogaskerék

Áttétel 1:1



A Típus



B Típus

Anyagminőség: C43

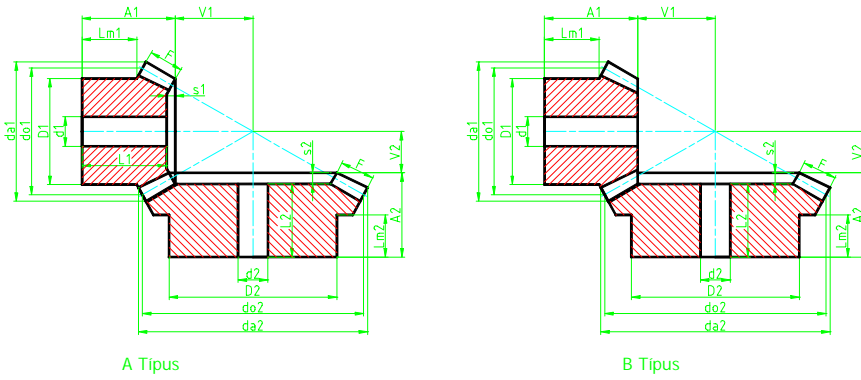
A fogaskerekeket párban szállítjuk.

Méreték mm-ben

| Modul | Fogszá m | do | Rendelési szám | da | d1 | D1 | A | L | Lm | F | V | s | Típus |
|-------|-------------|-------|----------------|-------|----|-------|------|------|------|------|------|-----|-------|
| 3,5 | 16 | 56,0 | K 3,5 16A | 60,9 | 15 | 45,0 | 35,5 | 31,0 | 17,2 | 16,0 | 15,3 | 4,5 | A |
| 3,5 | 16 | 56,0 | K 3,5 16B | 60,9 | 15 | 45,3 | 36,4 | - | 19,8 | 14,0 | 16,6 | - | B |
| 3,5 | 19 | 66,5 | K 3,5 19B | 71,4 | 15 | 50,3 | 36,9 | - | 18,0 | 15,0 | 21,1 | - | B |
| 3,5 | 20 | 70,0 | K 3,5 20A | 74,9 | 15 | 55,0 | 40,5 | 36,0 | 19,0 | 22,0 | 18,1 | 4,5 | A |
| 3,5 | 22 | 77,0 | K 3,5 22A | 81,9 | 15 | 60,0 | 40,5 | 36,0 | 18,0 | 22,0 | 21,5 | 4,5 | A |
| 3,5 | 22 | 77,0 | K 3,5 22B | 81,9 | 20 | 55,3 | 39,1 | - | 18,0 | 17,0 | 24,9 | - | B |
| 3,5 | 25 | 87,5 | K 3,5 25A | 92,4 | 20 | 65,0 | 43,5 | 39,0 | 18,0 | 26,0 | 24,0 | 4,5 | A |
| 3,5 | 26 | 91,0 | K 3,5 26B | 95,9 | 20 | 60,3 | 42,2 | - | 20,0 | 20,0 | 29,8 | - | B |
| 3,5 | 30 | 105,0 | K 3,5 30A | 109,9 | 20 | 70,0 | 45,5 | 41,0 | 17,0 | 30,0 | 29,9 | 4,5 | A |
| 3,5 | 30 | 105,0 | K 3,5 30B | 109,9 | 20 | 70,3 | 47,3 | 43,0 | 22,0 | 23,0 | 34,7 | - | B |
| 4 | 16 | 56,0 | K 4 16A | 60,9 | 15 | 45,0 | 35,5 | 31,0 | 17,2 | 16,0 | 15,3 | 4,5 | A |
| 4 | 16 | 64,0 | K 4 16B | 69,7 | 15 | 50,3 | 44,3 | - | 25,1 | 15,0 | 19,7 | - | B |
| 4 | 19 | 76,0 | K 4 19B | 81,7 | 18 | 55,3 | 44,4 | - | 22,0 | 18,0 | 23,6 | - | B |
| 4 | 20 | 70,0 | K 4 20A | 74,9 | 15 | 55,0 | 40,5 | 36,0 | 19,0 | 22,0 | 18,1 | 4,5 | A |
| 4 | 22 | 77,0 | K 4 22A | 81,9 | 15 | 60,0 | 40,5 | 36,0 | 18,0 | 22,0 | 21,5 | 4,5 | A |
| 4 | 22 | 88,0 | K 4 22B | 93,7 | 18 | 60,3 | 45,9 | - | 22,0 | 20,0 | 28,1 | - | B |
| 4 | 25 | 87,5 | K 4 25A | 92,4 | 20 | 65,0 | 43,5 | 39,0 | 18,0 | 26,0 | 24,0 | 4,5 | A |
| 4 | 26 | 104,0 | K 4 26B | 109,7 | 20 | 70,3 | 48,0 | 43,0 | 22,0 | 23,0 | 34,0 | - | B |
| 4 | 30 | 105,0 | K 4 30A | 109,9 | 20 | 70,0 | 45,5 | 41,0 | 17,0 | 30,0 | 29,9 | 4,5 | A |
| 4 | 30 | 120,0 | K 4 30B | 125,7 | 25 | 80,3 | 54,2 | 49,0 | 25,0 | 26,0 | 39,8 | - | B |
| 4,5 | 16 | 72,0 | K 4,5 16A | 78,3 | 18 | 55,0 | 43,0 | 37,0 | 18,5 | 20,0 | 43,0 | 6,0 | A |
| 4,5 | 16 | 72,0 | K 4,5 16B | 78,3 | 18 | 55,3 | 46,3 | - | 25,0 | 17,5 | 46,3 | - | B |
| 4,5 | 19 | 85,5 | K 4,5 19B | 91,8 | 20 | 60,3 | 47,3 | - | 25,0 | 20,0 | 47,3 | - | B |
| 4,5 | 20 | 90,0 | K 4,5 20A | 96,3 | 20 | 65,0 | 48,0 | 42,0 | 18,0 | 28,0 | 48,0 | 6,0 | A |
| 4,5 | 22 | 99,0 | K 4,5 22A | 105,3 | 20 | 70,0 | 48,0 | 42,0 | 18,0 | 28,0 | 48,0 | 6,0 | A |
| 4,5 | 22 | 99,0 | K 4,5 22B | 105,3 | 20 | 70,3 | 50,1 | - | 25,0 | 22,0 | 50,1 | - | B |
| 4,5 | 25 | 112,5 | K 4,5 25A | 118,8 | 20 | 75,0 | 50,0 | 44,0 | 18,0 | 32,0 | 50,0 | 6,0 | A |
| 4,5 | 26 | 117,0 | K 4,5 26B | 123,3 | 20 | 75,3 | 53,2 | 45,0 | 25,0 | 25,0 | 53,2 | - | B |
| 4,5 | 30 | 135,0 | K 4,5 30A | 141,3 | 25 | 90,0 | 53,0 | 47,0 | 17,0 | 35,0 | 53,0 | 6,0 | A |
| 4,5 | 30 | 135,0 | K 4,5 30B | 141,3 | 25 | 80,3 | 60,0 | 54,0 | 28,0 | 29,0 | 60,0 | - | B |
| 5 | 16 | 80,0 | K 5 16A | 87,0 | 20 | 60,0 | 45,5 | 39,0 | 17,8 | 22,0 | 22,3 | 6,5 | A |
| 5 | 16 | 80,0 | K 5 16B | 87,1 | 20 | 60,3 | 48,9 | - | 25,0 | 18,0 | 25,1 | - | B |
| 5 | 19 | 95,0 | K 5 19B | 102,1 | 20 | 60,3 | 52,2 | - | 25,0 | 22,0 | 29,8 | - | B |
| 5 | 20 | 100,0 | K 5 20A | 107,1 | 20 | 70,0 | 50,5 | 44,0 | 18,5 | 30,0 | 26,8 | 6,5 | A |
| 5 | 22 | 110,0 | K 5 22A | 117,1 | 20 | 80,0 | 50,5 | 44,0 | 18,5 | 30,0 | 31,7 | 6,5 | A |
| 5 | 22 | 110,0 | K 5 22B | 117,1 | 20 | 80,3 | 58,2 | 52,0 | 30,0 | 24,0 | 35,8 | - | B |
| 5 | 25 | 125,0 | K 5 25A | 132,1 | 20 | 90,0 | 54,5 | 48,0 | 18,5 | 35,0 | 35,7 | 6,5 | A |
| 5 | 26 | 130,0 | K 5 26B | 137,1 | 20 | 80,3 | 62,7 | 57,0 | 30,0 | 29,0 | 42,3 | - | B |
| 5 | 30 | 150,0 | K 5 30A | 157,1 | 30 | 110,0 | 56,5 | 50,0 | 18,0 | 38,0 | 45,9 | 6,5 | A |
| 5 | 30 | 150,0 | K 5 30B | 157,1 | 30 | 80,3 | 68,9 | 63,0 | 35,0 | 32,0 | 50,1 | - | B |

Egyenes fogazatú kúpfogaskerék

Áttétel 1:2



A fogaskerekeket párban szállítjuk.

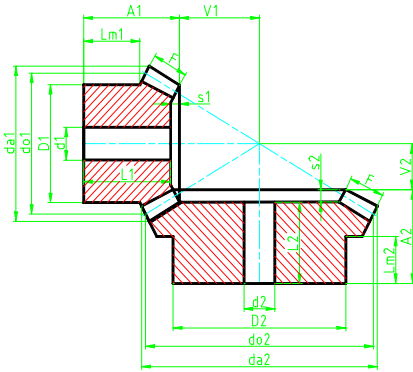
Méreték mm-ben

| Modul | Fog- szám | do1 do2 | Rendelési szám | da1 da2 | d1d 2 | D1 D2 | A1 A2 | L1 L2 | Lm1 Lm2 | F | V1V2 | s1 s2 | Típus |
|-------|--------------|------------|----------------|------------|----------|----------|----------|----------|------------|------|------|----------|-------|
| 1 | 15 | 15 | K1 15/30B | 17,4 | 4 | 13,3 | 11,9 | - | 6,6 | 5,0 | 10,1 | - | B |
| | 30 | 30 | | 30,6 | 5 | 20,3 | 15,1 | 14,0 | 9,0 | | 4,9 | 1,1 | |
| 1,5 | 16 | 24,0 | K1,5 16/32A | 26,7 | 10 | 21,0 | 18,5 | 17,0 | 10,3 | 8,0 | 16,4 | 1,5 | A |
| | 32 | 48,0 | | 49,3 | 12 | 32,0 | 20,0 | 17,5 | 10,0 | | 7,5 | 2,5 | |
| 1,5 | 15 | 22,5 | K1,5 15/30B | 26,1 | 8 | 20,3 | 21,1 | - | 12,0 | 9,0 | 13,9 | - | B |
| | 30 | 45,0 | | 45,9 | 8 | 32,3 | 25,2 | 23,0 | 16,0 | | 6,8 | 2,2 | |
| 2 | 16 | 32 | K2 16/32A | 35,6 | 10 | 27,0 | 23,0 | 21,0 | 12,2 | 10,0 | 22,4 | 2,0 | A |
| | 32 | 64 | | 65,8 | 12 | 40,0 | 25,0 | 22,0 | 10,0 | | 10,2 | 3,0 | |
| 2 | 15 | 30 | K2 15/30B | 34,8 | 8 | 34,0 | 27,5 | - | 14,4 | 11,5 | 19,0 | - | B |
| | 30 | 60 | | 61,2 | 12 | 50,0 | 30,0 | 26,5 | 15,0 | | 9,2 | 3,5 | |
| 2,5 | 16 | 40,0 | K2,5 16/32A | 44,4 | 12 | 34,0 | 27,5 | 25,0 | 14,4 | 12,0 | 28,5 | 2,5 | A |
| | 32 | 80,0 | | 82,2 | 15 | 50,0 | 30,0 | 26,5 | 15,0 | | 13,0 | 3,5 | |
| 2,5 | 15 | 37,5 | K2,5 15/30B | 43,5 | 12 | 32,3 | 31,8 | - | 16,2 | 15,0 | 23,2 | - | B |
| | 30 | 75,0 | | 76,5 | 15 | 45,3 | 33,7 | 30,0 | 20,0 | | 11,3 | 3,7 | |
| 3 | 16 | 48 | K3 16/32A | 53,4 | 15 | 40,0 | 28,0 | 25,0 | 11,6 | 15,0 | 33,6 | 3,0 | A |
| | 32 | 96 | | 98,7 | 15 | 60,0 | 35,0 | 30,5 | 15,0 | | 15,4 | 4,5 | |
| 3 | 15 | 45 | K3 15/30B | 52,0 | 12 | 40,3 | 37,3 | - | 19,8 | 17,0 | 28,7 | - | B |
| | 30 | 90 | | 91,8 | 15 | 55,3 | 42,1 | 38,0 | 25,0 | | 13,9 | 4,1 | |
| 3,5 | 16 | 56,0 | K3,5 16/32A | 62,3 | 15 | 48,0 | 33,5 | 30,5 | 14,4 | 18,0 | 38,8 | 3,0 | A |
| | 32 | 112,0 | | 115,1 | 20 | 70,0 | 40,0 | 35,0 | 19,0 | | 17,7 | 5,0 | |
| 3,5 | 15 | 52,5 | K3,5 15/30B | 60,9 | 15 | 45,3 | 46,1 | - | 24,7 | 20,5 | 32,9 | - | B |
| | 30 | 105,0 | | 107,1 | 20 | 60,3 | 45,0 | 40,0 | 25,0 | | 16,0 | 5,0 | |
| 4 | 16 | 64 | K4 16/32A | 71,1 | 20 | 50,0 | 36,0 | 32,0 | 13,4 | 20,0 | 44,8 | 4,0 | A |
| | 32 | 128 | | 131,6 | 20 | 80,0 | 45,0 | 39,5 | 23,0 | | 20,5 | 5,5 | |
| 4 | 15 | 60 | K4 15/30B | 69,6 | 20 | 50,3 | 48,6 | - | 24,6 | 22,5 | 38,4 | - | B |
| | 30 | 120 | | 122,3 | 20 | 80,3 | 57,3 | 52,0 | 35,0 | | 18,7 | 5,3 | |
| 4,5 | 16 | 72,0 | K4,5 16/32A | 80,1 | 20 | 60,0 | 39,5 | 35,0 | 15,4 | 22,0 | 50,9 | 4,5 | A |
| | 32 | 144,0 | | 148,0 | 25 | 80,0 | 50,0 | 43,5 | 24,0 | | 23,2 | 6,5 | |
| 4,5 | 15 | 67,5 | K4,5 15/30B | 78,3 | 20 | 60,3 | 51,4 | - | 24,7 | 26,0 | 42,6 | - | B |
| | 30 | 135,0 | | 137,6 | 25 | 80,3 | 60,3 | 53,0 | 35,0 | | 20,7 | 7,3 | |
| 5 | 16 | 80 | K5 16/32A | 88,9 | 20 | 60,0 | 50,0 | 45,0 | 21,1 | 25,0 | 56,1 | 5,0 | A |
| | 32 | 160 | | 164,5 | 25 | 85,0 | 55,0 | 48,0 | 27,0 | | 25,6 | 7,0 | |
| 5 | 15 | 75 | K5 15/30B | 87,0 | 20 | 60,3 | 57,6 | - | 25,3 | 30,0 | 46,4 | - | B |
| | 30 | 150 | | 152,9 | 25 | 80,3 | 62,5 | 56,0 | 35,0 | | 22,5 | 6,5 | |

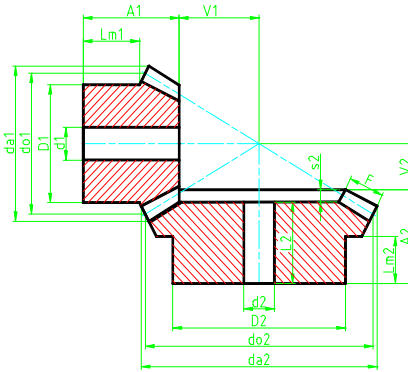
Egyenes fogazatú kúpfogaskerék

Áttétel 1:3

Anyagminőség: C43



A Típus



B Típus

A fogaskerekeket párban szállítjuk.

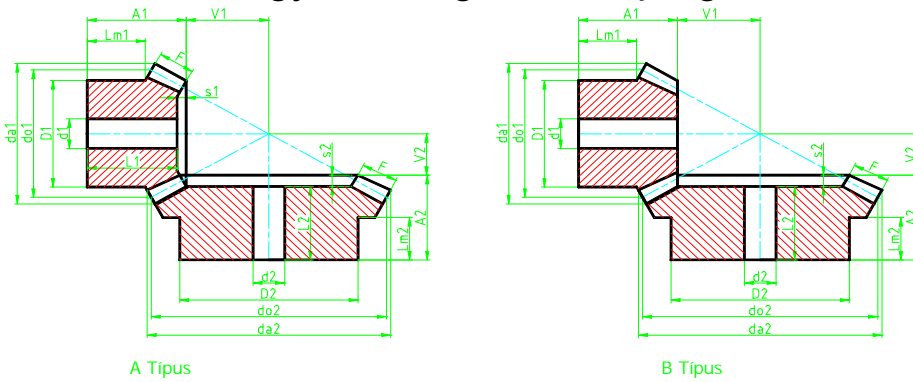
Méreték mm-ben

| Modul | Fog- szám | do1 do2 | Rendelési szám | da1 da2 | d1 d2 | D1 D2 | A1 A2 | L1 L2 | Lm1 Lm2 | F | V1 V2 | s1 s2 | Típus |
|-------|--------------|------------|----------------|------------|----------|----------|----------|----------|------------|------|----------|----------|-------|
| 1 | 15 | 15 | K1 15/45B | 17,7 | 4 | 13,3 | 16,6 | - | 9,3 | 7,1 | 15,4 | - | B |
| 1,5 | 16 | 24,0 | K1,5 16/48A | 26,9 | 10 | 20,0 | 22,0 | 21,0 | 9,7 | 12,0 | 24,3 | 1,0 | A |
| | 48 | 72,0 | | 72,9 | 15 | 42,0 | 22,0 | 19,0 | 12,0 | | 7,2 | 3,0 | |
| 1,5 | 15 | 22,5 | K1,5 15/45B | 26,5 | 8 | 19,3 | 22,6 | - | 11,7 | 10,5 | 23,4 | - | B |
| | 45 | 67,5 | | 68,1 | 14 | 45,3 | 29,6 | 27,0 | 20,0 | | 7,4 | 2,6 | |
| 2 | 16 | 32 | K2 16/48A | 35,8 | 12 | 25,0 | 25,5 | 24,0 | 9,4 | 15,0 | 33,4 | 1,5 | A |
| | 48 | 96 | | 97,3 | 15 | 50,0 | 26,0 | 22,0 | 13,0 | | 9,9 | 4,0 | |
| 2 | 15 | 30 | K2 15/45B | 35,4 | 8 | 25,3 | 28,9 | - | 14,2 | 14,0 | 31,1 | - | B |
| | 45 | 90 | | 90,8 | 15 | 45,3 | 32,1 | 29,0 | 20,0 | | 9,9 | 3,1 | |
| 2,5 | 16 | 40,0 | K2,5 16/48A | 44,7 | 14 | 33,0 | 28,0 | 26,0 | 9,2 | 18,0 | 42,4 | 2,0 | A |
| | 48 | 120,0 | | 121,6 | 20 | 60,0 | 32,0 | 27,0 | 16,0 | | 12,6 | 5,0 | |
| 2,5 | 15 | 37,5 | K2,5 15/45B | 44,2 | 12 | 32,3 | 34,6 | - | 15,9 | 18,0 | 38,4 | - | B |
| | 45 | 112,5 | | 113,4 | 20 | 60,3 | 39,7 | 36,0 | 25,0 | | 12,3 | 3,7 | |
| 3 | 16 | 48 | K3 16/48A | 53,7 | 15 | 42,0 | 30,0 | 28,0 | 11,2 | 18,0 | 54,2 | 2,0 | A |
| | 48 | 144 | | 145,9 | 20 | 65,0 | 38,0 | 32,0 | 19,0 | | 16,1 | 6,0 | |
| 3 | 15 | 45 | K3 15/45B | 53,0 | 15 | 40,3 | 41,3 | - | 19,7 | 21,0 | 46,7 | - | B |
| | 45 | 135 | | 136,1 | 20 | 60,3 | 47,2 | 42,5 | 30,0 | | 14,8 | 4,7 | |
| 3,5 | 16 | 56,0 | K3,5 16/48A | 62,6 | 15 | 48,0 | 36,5 | 34,0 | 13,4 | 22,0 | 62,3 | 2,5 | A |
| | 48 | 168,0 | | 170,2 | 20 | 75,0 | 44,0 | 37,0 | 23,0 | | 18,5 | 7,0 | |
| 3,5 | 15 | 52,5 | K3,5 15/45B | 61,9 | 15 | 45,3 | 49,6 | - | 25,1 | 23,5 | 55,4 | - | B |
| | 45 | 157,5 | | 158,8 | 20 | 80,3 | 54,4 | 49,0 | 35,0 | | 17,6 | 5,4 | |
| 4 | 16 | 64 | K4 16/48A | 71,6 | 20 | 55,0 | 42,0 | 39,0 | 15,7 | 25,0 | 71,3 | 3,0 | A |
| | 48 | 192 | | 194,5 | 22 | 85,0 | 50,0 | 42,0 | 27,0 | | 21,2 | 8,0 | |
| 4 | 15 | 60 | K4 15/45B | 70,7 | 20 | 50,3 | 54,3 | - | 25,4 | 27,5 | 62,7 | - | B |
| | 45 | 180 | | 181,5 | 22 | 80,3 | 57,0 | 51,0 | 35,0 | | 20,0 | 6,0 | |
| 4,5 | 16 | 72,0 | K4,5 16/48A | 80,6 | 20 | 60,0 | 53,0 | 50,0 | 23,4 | 28,0 | 80,4 | 3,0 | A |
| | 48 | 216,0 | | 218,8 | 25 | 90,0 | 58,0 | 49,0 | 27,0 | | 23,9 | 9,0 | |
| 4,5 | 15 | 67,5 | K4,5 15/45B | 79,5 | 20 | 55,3 | 55,2 | - | 24,8 | 28,5 | 72,8 | - | B |
| | 45 | 202,5 | | 204,2 | 25 | 90,3 | 63,9 | 57,0 | 40,0 | | 23,1 | 6,9 | |
| 5 | 16 | 80,0 | K5 16/48A | 89,5 | 20 | 60,0 | 60,0 | 57,0 | 22,5 | 35,0 | 85,7 | 3,0 | A |
| | 48 | 240,0 | | 243,1 | 28 | 100,0 | 65,0 | 55,0 | 35,0 | | 25,5 | 10,0 | |
| 5 | 15 | 75,0 | K5 15/45B | 88,4 | 20 | 60,3 | 65,3 | - | 30,0 | 33,0 | 79,7 | - | B |
| | 45 | 225,0 | | 226,9 | 28 | 90,3 | 66,7 | 59,0 | 40,0 | | 25,3 | 7,7 | |

Egyenes fogazatú kúpfogaskerék

Áttétel 1:4

Anyagminőség: C43



A Típus

B Típus

A fogaskerekeket párban szállítjuk.

Méreték mm-ben

| Modul | Fog- szám | do1 do2 | Rendelési szám | da1 da2 | d1 d2 | D1 D2 | A1 A2 | L1 L2 | Lm1 Lm2 | F | V1 V2 | s1 s2 | Típus |
|-------|--------------|------------|----------------|------------|----------|----------|----------|----------|------------|------|----------|----------|-------|
| 1 | 15 | 15 | K1 15/60B | 17,8 | 4 | 13,3 | 17,2 | - | 7,7 | 9,3 | 20,8 | - | B |
| | 60 | 60 | | 60,3 | 8 | 30,3 | 17,1 | 15,0 | 10,0 | | 4,9 | 2,1 | |
| 1,5 | 16 | 24,0 | K1,5 16/64A | 26,9 | 10 | 18,0 | 25,0 | 24,0 | 12,2 | 12,0 | 36,1 | 1,0 | A |
| | 64 | 96,0 | | 96,7 | 15 | 60,0 | 25,0 | 22,0 | 13,0 | | 8,0 | 3,0 | |
| 1,5 | 15 | 22,5 | K1,5 15/60B | 26,7 | 8 | 20,3 | 23,0 | - | 11,7 | 11,0 | 34,0 | - | B |
| | 60 | 90,0 | | 90,4 | 15 | 50,3 | 34,0 | 31,0 | 25,0 | | 8,0 | 3,0 | |
| 2 | 16 | 32 | K2 16/64A | 35,9 | 12 | 25,0 | 24,0 | 23,0 | 8,5 | 15,0 | 49,1 | 1,0 | A |
| | 64 | 128 | | 129,0 | 20 | 70,0 | 28,0 | 24,0 | 14,0 | | 10,9 | 4,0 | |
| 2 | 15 | 30 | K2 15/60B | 35,6 | 8 | 25,3 | 31,0 | - | 14,4 | 16,0 | 44,0 | - | B |
| | 60 | 120 | | 120,6 | 16 | 60,3 | 37,6 | 34,0 | 25,0 | | 10,4 | 3,6 | |
| 2,5 | 16 | 40,0 | K2,5 16/64A | 44,9 | 15 | 34,0 | 30,5 | 29,0 | 11,7 | 18,0 | 62,1 | 1,5 | A |
| | 64 | 160,0 | | 161,2 | 20 | 80,0 | 35,0 | 30,0 | 16,0 | | 13,8 | 5,0 | |
| 2,5 | 15 | 37,5 | K2,5 15/60B | 44,5 | 14 | 32,3 | 38,1 | - | 18,4 | 19,0 | 55,6 | - | B |
| | 60 | 150,0 | | 150,7 | 20 | 60,3 | 44,8 | 40,0 | 30,0 | | 13,2 | 4,8 | |
| 3 | 16 | 48 | K3 16/64A | 53,8 | 15 | 40,0 | 32,0 | 30,0 | 11,1 | 20,0 | 76,0 | 2,0 | A |
| | 64 | 192 | | 193,4 | 20 | 90,0 | 42,0 | 36,0 | 22,0 | | 16,8 | 6,0 | |
| 3 | 15 | 45 | K3 15/60B | 53,3 | 15 | 40,3 | 48,1 | - | 24,5 | 23,0 | 66,9 | - | B |
| | 60 | 180 | | 180,8 | 20 | 80,3 | 53,2 | 48,0 | 35,0 | | 15,8 | 5,2 | |
| 3,5 | 16 | 56,0 | K3,5 16/64A | 62,8 | 15 | 45,0 | 40,0 | 38,0 | 14,0 | 25,0 | 87,1 | 2,0 | A |
| | 64 | 224,0 | | 225,7 | 25 | 100,0 | 50,0 | 43,0 | 22,0 | | 19,3 | 7,0 | |
| 3,5 | 15 | 52,5 | K3,5 15/60B | 62,2 | 15 | 45,3 | 52,1 | - | 25,1 | 26,0 | 78,9 | - | B |
| | 60 | 210,0 | | 211,0 | 25 | 90,3 | 60,4 | 54,0 | 40,0 | | 18,6 | 6,4 | |
| 4 | 16 | 64 | K4 16/64A | 71,7 | 20 | 50,0 | 50,0 | 48,0 | 18,5 | 30,0 | 98,2 | 2,0 | A |
| | 64 | 256 | | 257,9 | 28 | 110,0 | 60,0 | 52,0 | 30,0 | | 21,8 | 8,0 | |
| 4 | 15 | 60 | K4 15/60B | 71,1 | 20 | 50,3 | 55,1 | - | 23,8 | 30,0 | 89,9 | - | B |
| | 60 | 240 | | 241,1 | 28 | 90,3 | 60,8 | 53,0 | 40,0 | | 21,2 | 7,8 | |
| 4,5 | 16 | 72,0 | K4,5 16/64A | 80,7 | 20 | 60,0 | 55,0 | 53,0 | 21,6 | 32,0 | 112,1 | 2,0 | A |
| | 64 | 288,0 | | 290,1 | 30 | 120,0 | 65,0 | 57,0 | 35,0 | | 24,8 | 8,0 | |
| 4,5 | 15 | 67,5 | K4,5 15/60B | 79,9 | 20 | 60,3 | 59,1 | - | 24,1 | 34,0 | 100,9 | - | B |
| | 60 | 270,0 | | 271,2 | 30 | 100,3 | 68,2 | 61,0 | 40,0 | | 23,8 | 7,2 | |
| 5 | 16 | 80 | K5 16/64A | 89,7 | 20 | 65,0 | 60,0 | 58,0 | 23,2 | 35,0 | 125,1 | 2,0 | A |
| | 64 | 320 | | 322,4 | 30 | 120,0 | 70,0 | 61,0 | 42,0 | | 27,7 | 9,0 | |
| 5 | 15 | 75 | K5 15/60B | 88,8 | 20 | 70,3 | 68,1 | - | 29,4 | 38,0 | 111,9 | - | B |
| | 60 | 300 | | 310,3 | 30 | 110,3 | 73,5 | 66,0 | 40,0 | | 26,5 | 7,5 | |