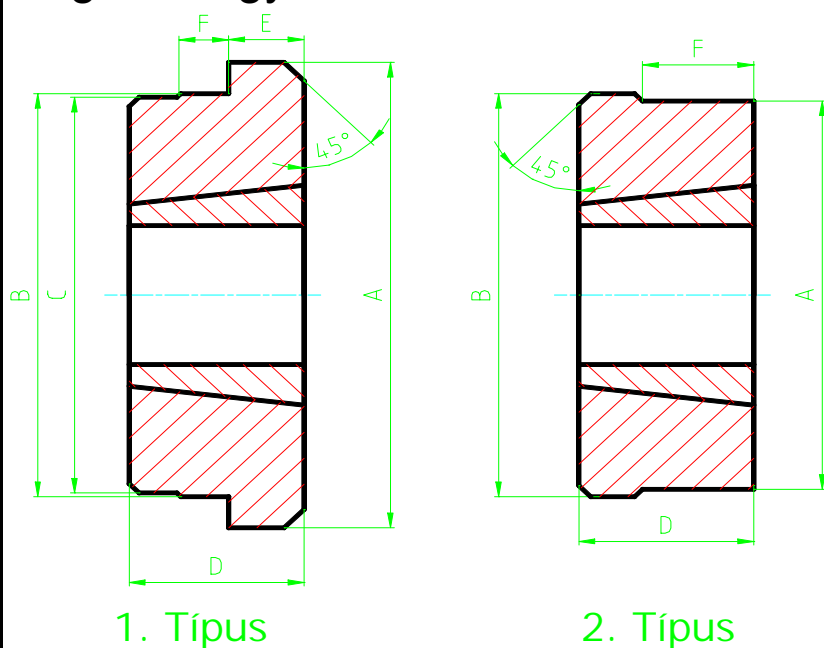


Hegesztőágy



| B (h8) | Szorító hüvely | Rendelési szám | Típus | A | C | D | E | F |
|--------|----------------|----------------|-------|-------|-------|-----|----|----|
| 65 | 1210 | WH1210 | 1 | 70 | 64,5 | 25 | 9 | 10 |
| 75 | 1610 | WH1610 | 1 | 80 | 74,5 | 25 | 9 | 10 |
| 90 | 2012 | WH2012 | 1 | 95 | 89,5 | 32 | 12 | 12 |
| 110 | 2517 | WH2517 | 1 | 115 | 109,5 | 44 | 19 | 15 |
| 140 | 3020 | WH3020 | 1 | 145 | 139,5 | 50 | 19 | 15 |
| 180 | 3525 | WH3525 | 1 | 190 | 179,5 | 65 | 25 | 25 |
| 180 | 3535 | WH3535 | 1 | 190 | 179,5 | 89 | 32 | 25 |
| 190 | 4040 | WH4040 | 1 | 200 | 189,5 | 101 | 32 | 30 |
| 200 | 4545 | WH4545 | 1 | 210 | 199,5 | 115 | 40 | 30 |
| 220 | 5050 | WH5050 | 1 | 230 | 219,5 | 127 | 40 | 35 |
| 60 | 1210 | WM1210 | 1 | 70 | 58 | 25 | 9 | 10 |
| 60 | 1215 | WM1215 | 1 | 73 | 58 | 38 | 16 | 11 |
| 70 | 1615 | WM1615 | 1 | 83 | 68 | 38 | 16 | 11 |
| 90 | 2012 | WM2012 | 1 | 95 | 88 | 32 | 12 | 12 |
| 110 | 2517 | WM2517 | 1 | 127 | 108 | 44 | 19 | 13 |
| 130 | 3030 | WM3030 | 1 | 152 | 125 | 76 | 25 | 19 |
| 130 | 3020 | WM3020 | 1 | 152 | 125 | 50 | 25 | 15 |
| 155 | 3535 | WM3535 | 1 | 184 | 151 | 89 | 32 | 25 |
| 195 | 4040 | WM4040 | 1 | 225 | 187 | 102 | 32 | 32 |
| 220 | 4545 | WM4545 | 1 | 254 | 213 | 115 | 38 | 38 |
| 242 | 5050 | WM5050 | 1 | 276 | 228 | 127 | 38 | 38 |
| 66 | 1210 | TBK1210 | 2 | 65,5 | - | 25 | - | 17 |
| 86 | 1610 | TBK1610 | 2 | 85,5 | - | 25 | - | 17 |
| 86 | 1615 | TBK1615 | 2 | 85,5 | - | 38 | - | 25 |
| 96 | 2012 | TBK2012 | 2 | 95,5 | - | 32 | - | 21 |
| 111 | 2517 | TBK2517 | 2 | 110,5 | - | 44 | - | 30 |
| 111 | 2525 | TBK2525 | 2 | 110,5 | - | 64 | - | 45 |
| 136 | 3020 | TBK3020 | 2 | 135,5 | - | 51 | - | 34 |
| 136 | 3030 | TBK3030 | 2 | 135,5 | - | 76 | - | 51 |
| 166 | 3535 | TBK3535 | 2 | 165,5 | - | 89 | - | 60 |
| 206 | 4040 | TBK4040 | 2 | 205,5 | - | 102 | - | 70 |
| 236 | 4545 | TBK4545 | 2 | 235,5 | - | 115 | - | 85 |
| 250 | 5050 | TBK5050 | 2 | 249,5 | - | 127 | - | 85 |