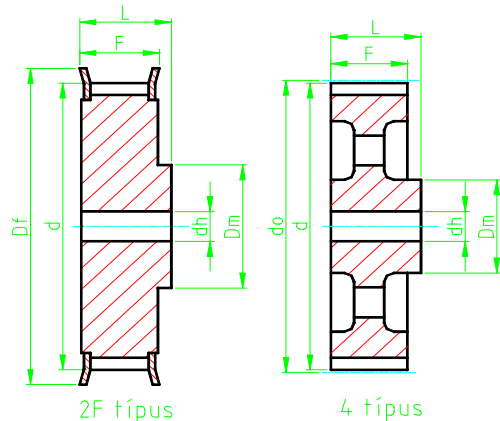


Bordáskerék L típusú bordásszíjhoz

Osztás: t= 3/8 "

9,525 mm



Bordáskerékek anyaga:
2F típusnál: **Acél** (St)
4. típusnál: **Öntvény**

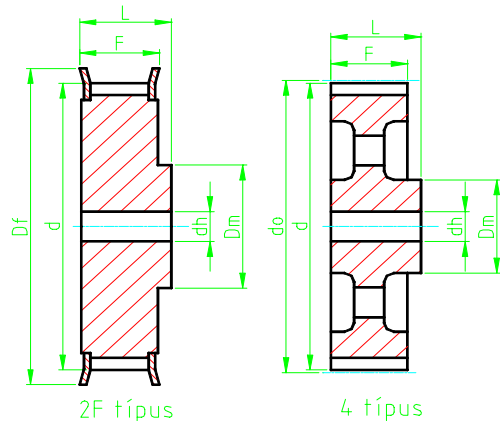
métekek mm-ben

| Szíjszé- lesség | Fog- szám | Kivitel | Osztókör- átmérő do | Külső átmérő d | Perem- átmérő Df | F | Teljes szélesség L | Dm | Di | dh | Rendelési szám |
|--------------------|--------------|---------|------------------------|-------------------|------------------------|------|--------------------------|----|----|----|-------------------|
| 1/2" | 10 | 2F | 30,32 | 29,56 | 36 | 19,0 | 28 | 20 | - | 8 | L1/2"10 |
| 1/2" | 11 | 2F | 33,35 | 32,59 | 38 | 19,0 | 30 | 24 | - | 8 | L1/2"11 |
| 1/2" | 12 | 2F | 36,38 | 35,62 | 42 | 19,0 | 30 | 24 | - | 8 | L1/2"12 |
| 1/2" | 13 | 2F | 39,41 | 38,65 | 44 | 19,0 | 30 | 28 | - | 8 | L1/2"13 |
| 1/2" | 14 | 2F | 42,45 | 41,68 | 48 | 19,0 | 30 | 28 | - | 8 | L1/2"14 |
| 1/2" | 15 | 2F | 45,48 | 44,72 | 51 | 19,0 | 30 | 34 | - | 8 | L1/2"15 |
| 1/2" | 16 | 2F | 48,51 | 47,75 | 54 | 19,0 | 32 | 36 | - | 8 | L1/2"16 |
| 1/2" | 17 | 2F | 51,54 | 50,78 | 57 | 19,0 | 32 | 36 | - | 10 | L1/2"17 |
| 1/2" | 18 | 2F | 54,57 | 53,81 | 60 | 19,0 | 32 | 40 | - | 10 | L1/2"18 |
| 1/2" | 19 | 2F | 57,61 | 56,84 | 63 | 19,0 | 32 | 40 | - | 10 | L1/2"19 |
| 1/2" | 20 | 2F | 60,64 | 59,88 | 66 | 19,0 | 32 | 40 | - | 10 | L1/2"20 |
| 1/2" | 21 | 2F | 63,67 | 62,91 | 71 | 19,0 | 32 | 45 | - | 10 | L1/2"21 |
| 1/2" | 22 | 2F | 66,70 | 65,94 | 75 | 19,0 | 32 | 45 | - | 10 | L1/2"22 |
| 1/2" | 23 | 2F | 69,73 | 68,97 | 79 | 19,0 | 32 | 55 | - | 10 | L1/2"23 |
| 1/2" | 24 | 2F | 72,77 | 72,00 | 79 | 19,0 | 32 | 55 | - | 10 | L1/2"24 |
| 1/2" | 25 | 2F | 75,80 | 75,04 | 83 | 19,0 | 32 | 58 | - | 10 | L1/2"25 |
| 1/2" | 26 | 2F | 78,83 | 78,07 | 87 | 19,0 | 32 | 58 | - | 12 | L1/2"26 |
| 1/2" | 27 | 2F | 81,86 | 81,10 | 87 | 19,0 | 32 | 58 | - | 12 | L1/2"27 |
| 1/2" | 28 | 2F | 84,89 | 84,13 | 91 | 19,0 | 32 | 58 | - | 12 | L1/2"28 |
| 1/2" | 30 | 2F | 90,96 | 90,20 | 97 | 19,0 | 32 | 70 | - | 12 | L1/2"30 |
| 1/2" | 32 | 2F | 97,02 | 96,26 | 103 | 19,0 | 32 | 70 | - | 12 | L1/2"32 |
| 1/2" | 33 | 2F | 100,05 | 99,29 | 106 | 19,0 | 32 | 70 | - | 12 | L1/2"33 |
| 1/2" | 34 | 2F | 103,08 | 102,32 | 111 | 19,0 | 32 | 70 | - | 12 | L1/2"34 |
| 1/2" | 35 | 2F | 106,12 | 105,35 | 111 | 19,0 | 32 | 70 | - | 12 | L1/2"35 |
| 1/2" | 36 | 2F | 109,15 | 108,39 | 115 | 19,0 | 32 | 70 | - | 12 | L1/2"36 |
| 1/2" | 40 | 2F | 121,28 | 120,51 | 127 | 19,0 | 32 | 70 | - | 12 | L1/2"40 |
| 1/2" | 42 | 2F | 127,34 | 126,58 | 135 | 19,0 | 32 | 70 | - | 12 | L1/2"42 |
| 1/2" | 44 | 2F | 133,40 | 132,64 | 140 | 19,0 | 32 | 70 | - | 12 | L1/2"44 |
| 1/2" | 45 | 2F | 136,44 | 135,67 | 143 | 19,0 | 32 | 70 | - | 12 | L1/2"45 |
| 1/2" | 48 | 2F | 145,53 | 144,77 | 152 | 19,0 | 32 | 70 | - | 12 | L1/2"48 |
| 1/2" | 50 | 4 | 151,60 | 150,83 | - | 19,0 | 32 | 70 | - | 14 | L1/2"50 |
| 1/2" | 52 | 4 | 157,66 | 156,90 | - | 19,0 | 32 | 70 | - | 14 | L1/2"52 |
| 1/2" | 56 | 4 | 169,79 | 169,02 | - | 19,0 | 32 | 70 | - | 14 | L1/2"56 |
| 1/2" | 57 | 4 | 172,82 | 172,06 | - | 19,0 | 32 | 70 | - | 14 | L1/2"57 |
| 1/2" | 60 | 4 | 181,91 | 181,15 | - | 19,0 | 42 | 75 | - | 14 | L1/2"60 |
| 1/2" | 72 | 4 | 218,30 | 217,53 | - | 19,0 | 42 | 75 | - | 14 | L1/2"72 |
| 1/2" | 84 | 4 | 254,68 | 253,92 | - | 19,0 | 42 | 75 | - | 14 | L1/2"84 |
| 1/2" | 96 | 4 | 291,06 | 290,30 | - | 19,0 | 42 | 75 | - | 14 | L1/2"96 |

Bordáskerék L típusú bordásszíjhoz

Osztás: t= 3/8 "

9,525 mm



Bordáskerékek anyaga:
2F típusnál: **Acél** (St)
4 típusnál: **Öntvény**

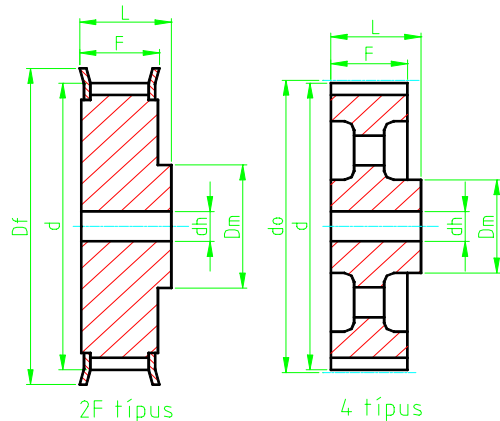
méretetek mm-ben

| Szíjszélesség | Fogszám | Kivitel | Osztókör- átmérő do | Külső átmérő d | Perem- átmérő Df | F | Teljes szélesség L | Dm | Di | dh | Rendelési szám |
|---------------|---------|---------|------------------------|-------------------|------------------------|------|--------------------------|----|----|----|-------------------|
| 3/4" | 10 | 2F | 0,00 | 29,56 | 36 | 25,4 | 38,0 | 20 | - | 8 | L3/4"10 |
| 3/4" | 11 | 2F | 0,00 | 32,59 | 38 | 25,4 | 38,0 | 24 | - | 8 | L3/4"11 |
| 3/4" | 12 | 2F | 0,00 | 35,62 | 42 | 25,4 | 38,0 | 24 | - | 8 | L3/4"12 |
| 3/4" | 13 | 2F | 0,00 | 38,65 | 44 | 25,4 | 38,0 | 28 | - | 8 | L3/4"13 |
| 3/4" | 14 | 2F | 0,00 | 41,68 | 48 | 25,4 | 38,0 | 28 | - | 8 | L3/4"14 |
| 3/4" | 15 | 2F | 0,00 | 44,72 | 51 | 25,4 | 38,0 | 34 | - | 8 | L3/4"15 |
| 3/4" | 16 | 2F | 0,00 | 47,75 | 54 | 25,4 | 38,0 | 36 | - | 8 | L3/4"16 |
| 3/4" | 17 | 2F | 0,00 | 50,78 | 57 | 25,4 | 38,0 | 36 | - | 10 | L3/4"17 |
| 3/4" | 18 | 2F | 0,00 | 53,81 | 60 | 25,4 | 38,0 | 40 | - | 10 | L3/4"18 |
| 3/4" | 19 | 2F | 0,00 | 56,84 | 63 | 25,4 | 38,0 | 40 | - | 10 | L3/4"19 |
| 3/4" | 20 | 2F | 0,00 | 59,88 | 66 | 25,4 | 38,0 | 40 | - | 10 | L3/4"20 |
| 3/4" | 21 | 2F | 0,00 | 62,91 | 71 | 25,4 | 38,0 | 45 | - | 10 | L3/4"21 |
| 3/4" | 22 | 2F | 0,00 | 65,94 | 75 | 25,4 | 38,0 | 45 | - | 10 | L3/4"22 |
| 3/4" | 23 | 2F | 0,00 | 68,97 | 79 | 25,4 | 38,0 | 55 | - | 10 | L3/4"23 |
| 3/4" | 24 | 2F | 0,00 | 72,00 | 79 | 25,4 | 38,0 | 55 | - | 10 | L3/4"24 |
| 3/4" | 25 | 2F | 0,00 | 75,04 | 83 | 25,4 | 38,0 | 58 | - | 10 | L3/4"25 |
| 3/4" | 26 | 2F | 0,00 | 78,07 | 87 | 25,4 | 38,0 | 58 | - | 12 | L3/4"26 |
| 3/4" | 27 | 2F | 0,00 | 81,10 | 87 | 25,4 | 38,0 | 58 | - | 12 | L3/4"27 |
| 3/4" | 28 | 2F | 0,00 | 84,13 | 91 | 25,4 | 38,0 | 58 | - | 12 | L3/4"28 |
| 3/4" | 30 | 2F | 0,00 | 90,20 | 97 | 25,4 | 38,0 | 70 | - | 12 | L3/4"30 |
| 3/4" | 32 | 2F | 0,00 | 96,26 | 103 | 25,4 | 38,0 | 70 | - | 12 | L3/4"32 |
| 3/4" | 33 | 2F | 0,00 | 99,29 | 106 | 25,4 | 38,0 | 70 | - | 12 | L3/4"33 |
| 3/4" | 34 | 2F | 0,00 | 102,32 | 111 | 25,4 | 38,0 | 70 | - | 12 | L3/4"34 |
| 3/4" | 35 | 2F | 0,00 | 105,35 | 111 | 25,4 | 38,0 | 70 | - | 12 | L3/4"35 |
| 3/4" | 36 | 2F | 0,00 | 108,39 | 115 | 25,4 | 38,0 | 70 | - | 12 | L3/4"36 |
| 3/4" | 40 | 2F | 0,00 | 120,51 | 127 | 25,4 | 38,0 | 70 | - | 12 | L3/4"40 |
| 3/4" | 42 | 2F | 0,00 | 126,58 | 135 | 25,4 | 38,0 | 70 | - | 12 | L3/4"42 |
| 3/4" | 44 | 2F | 0,00 | 132,64 | 140 | 25,4 | 38,0 | 70 | - | 12 | L3/4"44 |
| 3/4" | 45 | 2F | 0,00 | 135,67 | 143 | 25,4 | 38,0 | 70 | - | 12 | L3/4"45 |
| 3/4" | 48 | 2F | 0,00 | 144,77 | 152 | 25,4 | 38,0 | 70 | - | 12 | L3/4"48 |
| 3/4" | 50 | 4 | 0,00 | 150,83 | - | 25,4 | 38,0 | 70 | - | 14 | L3/4"50 |
| 3/4" | 52 | 4 | 0,00 | 156,90 | - | 25,4 | 38,0 | 70 | - | 14 | L3/4"52 |
| 3/4" | 56 | 4 | 0,00 | 169,02 | - | 25,4 | 38,0 | 70 | - | 14 | L3/4"56 |
| 3/4" | 57 | 4 | 0,00 | 172,06 | - | 25,4 | 38,0 | 70 | - | 14 | L3/4"57 |
| 3/4" | 60 | 4 | 0,00 | 181,15 | - | 25,4 | 45,0 | 75 | - | 14 | L3/4"60 |
| 3/4" | 72 | 4 | 0,00 | 217,53 | - | 25,4 | 45,0 | 75 | - | 14 | L3/4"72 |
| 3/4" | 84 | 4 | 0,00 | 253,92 | - | 25,4 | 45,0 | 75 | - | 14 | L3/4"84 |
| 3/4" | 96 | 4 | 0,00 | 290,30 | - | 25,4 | 45,0 | 75 | - | 14 | L3/4"96 |

Bordáskerék L típusú bordásszíjhoz

Osztás: t= 3/8 "

9,525 mm



Bordáskerékek anyaga:
2F típusnál: **Acél** (St)
4. típusnál: **Öntvény**

métekek mm-ben

| Szíjszé- lesség | Fog- szám | Kivitel | Osztókör- átmérő do | Külső átmérő d | Perem- átmérő Df | F | Teljes szélesség L | Dm | Di | dh | Rendelési szám |
|--------------------|--------------|---------|------------------------|-------------------|------------------------|------|--------------------------|----|----|----|-------------------|
| 1" | 10 | 2F | 30,32 | 29,56 | 36 | 31,8 | 45 | 20 | - | 8 | L1"10 |
| 1" | 11 | 2F | 33,35 | 32,59 | 38 | 31,8 | 45 | 24 | - | 8 | L1"11 |
| 1" | 12 | 2F | 36,38 | 35,62 | 42 | 31,8 | 45 | 24 | - | 8 | L1"12 |
| 1" | 13 | 2F | 39,41 | 38,65 | 44 | 31,8 | 45 | 28 | - | 8 | L1"13 |
| 1" | 14 | 2F | 42,45 | 41,68 | 48 | 31,8 | 45 | 28 | - | 8 | L1"14 |
| 1" | 15 | 2F | 45,48 | 44,72 | 51 | 31,8 | 45 | 34 | - | 8 | L1"15 |
| 1" | 16 | 2F | 48,51 | 47,75 | 54 | 31,8 | 45 | 36 | - | 8 | L1"16 |
| 1" | 17 | 2F | 51,54 | 50,78 | 57 | 31,8 | 45 | 36 | - | 10 | L1"17 |
| 1" | 18 | 2F | 54,57 | 53,81 | 60 | 31,8 | 45 | 40 | - | 10 | L1"18 |
| 1" | 19 | 2F | 57,61 | 56,84 | 63 | 31,8 | 45 | 40 | - | 10 | L1"19 |
| 1" | 20 | 2F | 60,64 | 59,88 | 66 | 31,8 | 45 | 40 | - | 10 | L1"20 |
| 1" | 21 | 2F | 63,67 | 62,91 | 71 | 31,8 | 45 | 45 | - | 10 | L1"21 |
| 1" | 22 | 2F | 66,70 | 65,94 | 75 | 31,8 | 45 | 45 | - | 10 | L1"22 |
| 1" | 23 | 2F | 69,73 | 68,97 | 79 | 31,8 | 45 | 55 | - | 10 | L1"23 |
| 1" | 24 | 2F | 72,77 | 72,00 | 79 | 31,8 | 45 | 55 | - | 10 | L1"24 |
| 1" | 25 | 2F | 75,80 | 75,04 | 83 | 31,8 | 45 | 58 | - | 10 | L1"25 |
| 1" | 26 | 2F | 78,83 | 78,07 | 87 | 31,8 | 45 | 58 | - | 12 | L1"26 |
| 1" | 27 | 2F | 81,86 | 81,10 | 87 | 31,8 | 45 | 58 | - | 12 | L1"27 |
| 1" | 28 | 2F | 84,89 | 84,13 | 91 | 31,8 | 45 | 58 | - | 12 | L1"28 |
| 1" | 30 | 2F | 90,96 | 90,20 | 97 | 31,8 | 45 | 70 | - | 12 | L1"30 |
| 1" | 32 | 2F | 97,02 | 96,26 | 103 | 31,8 | 45 | 70 | - | 12 | L1"32 |
| 1" | 33 | 2F | 100,05 | 99,29 | 106 | 31,8 | 45 | 70 | - | 12 | L1"33 |
| 1" | 34 | 2F | 103,08 | 102,32 | 111 | 31,8 | 45 | 70 | - | 12 | L1"34 |
| 1" | 35 | 2F | 106,12 | 105,35 | 111 | 31,8 | 45 | 70 | - | 12 | L1"35 |
| 1" | 36 | 2F | 109,15 | 108,39 | 115 | 31,8 | 45 | 70 | - | 12 | L1"36 |
| 1" | 40 | 2F | 121,28 | 120,51 | 127 | 31,8 | 45 | 70 | - | 12 | L1"40 |
| 1" | 42 | 2F | 127,34 | 126,58 | 135 | 31,8 | 45 | 70 | - | 12 | L1"42 |
| 1" | 44 | 2F | 133,40 | 132,64 | 140 | 31,8 | 45 | 70 | - | 12 | L1"44 |
| 1" | 45 | 2F | 136,44 | 135,67 | 143 | 31,8 | 45 | 70 | - | 12 | L1"45 |
| 1" | 48 | 2F | 145,53 | 144,77 | 152 | 31,8 | 45 | 70 | - | 12 | L1"48 |
| 1" | 50 | 4 | 151,60 | 150,83 | - | 31,8 | 45 | 70 | - | 14 | L1"50 |
| 1" | 52 | 4 | 157,66 | 156,90 | - | 31,8 | 45 | 70 | - | 14 | L1"52 |
| 1" | 56 | 4 | 169,79 | 169,02 | - | 31,8 | 45 | 70 | - | 14 | L1"56 |
| 1" | 57 | 4 | 172,82 | 172,06 | - | 31,8 | 45 | 70 | - | 14 | L1"57 |
| 1" | 60 | 4 | 181,91 | 181,15 | - | 31,8 | 45 | 75 | - | 14 | L1"60 |
| 1" | 72 | 4 | 218,30 | 217,53 | - | 31,8 | 45 | 75 | - | 14 | L1"72 |
| 1" | 84 | 4 | 254,68 | 253,92 | - | 31,8 | 45 | 75 | - | 14 | L1"84 |
| 1" | 96 | 4 | 291,06 | 290,30 | - | 31,8 | 45 | 75 | - | 14 | L1"96 |